

DIN DIMMER PACK EMULATOR

DESCRIPTION

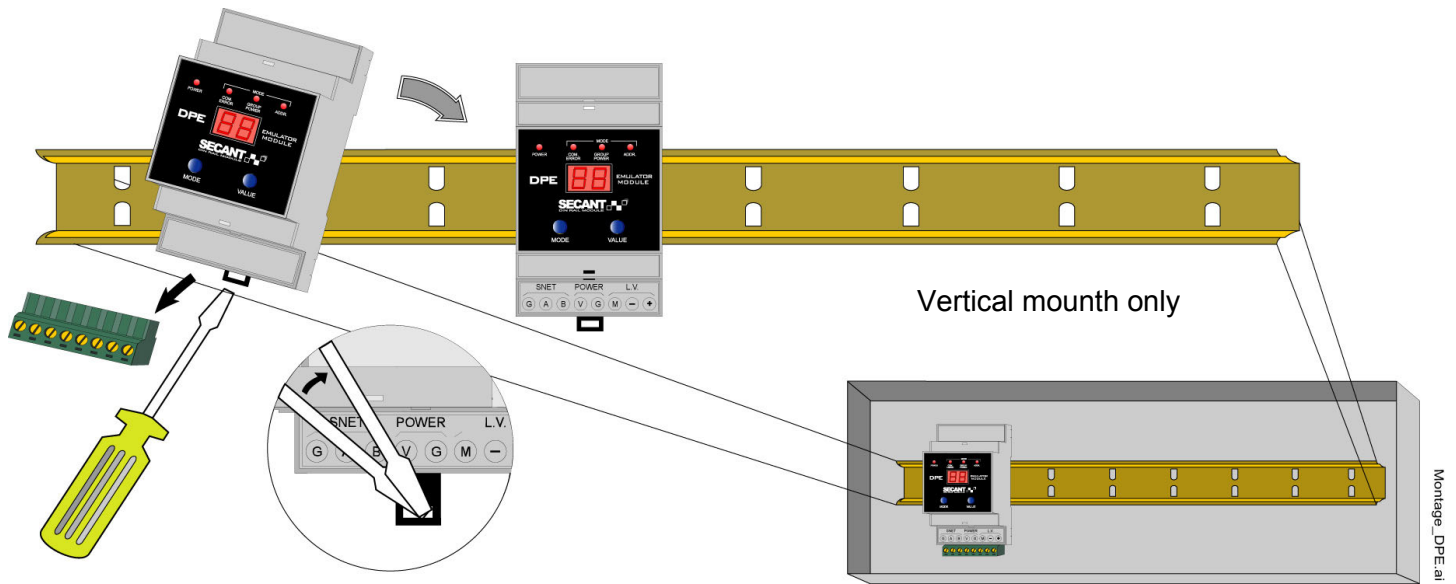
The DPE of the SECANT DIN module family is an interface between the Cardio system and other DIN modules such as the DM1 and RM1. It interfaces data between the Cardio SNET and DIN module MNET networks.

TECHNICAL SPECIFICATIONS

Power	Limited power AC/DC adaptor	230V – 12Vdc. 3A Max.
Input	TBTS	120V – 12Vdc 3A Max.
Switched Output	Voltage :	Nominal 12 Vdc, Maximum 14 Vdc
	Curent :	3 A Max.
Load	Maximum of 30 SECANT DIN modules, either DM1 and/or RM1	
Communication	Single-wire MNET : 12 Vdc Max., 150 mA Max. SNET (RS-485) Cardio	
Operating temperatures	0 °C to 60 °C	
Storage temperatures	Minus 10 °C to 60 °C	
Size	3M Format, 73 mm high, 53 mm wide, 90 mm long	
Material	Noryl UL 94 V-0; grey color RAL 7035	
Certifications	CE	EN60950 (2000)
		EN61000-6-1 (2001)
		EN61000-6-3 (2001)

MODULE INSTALLATION

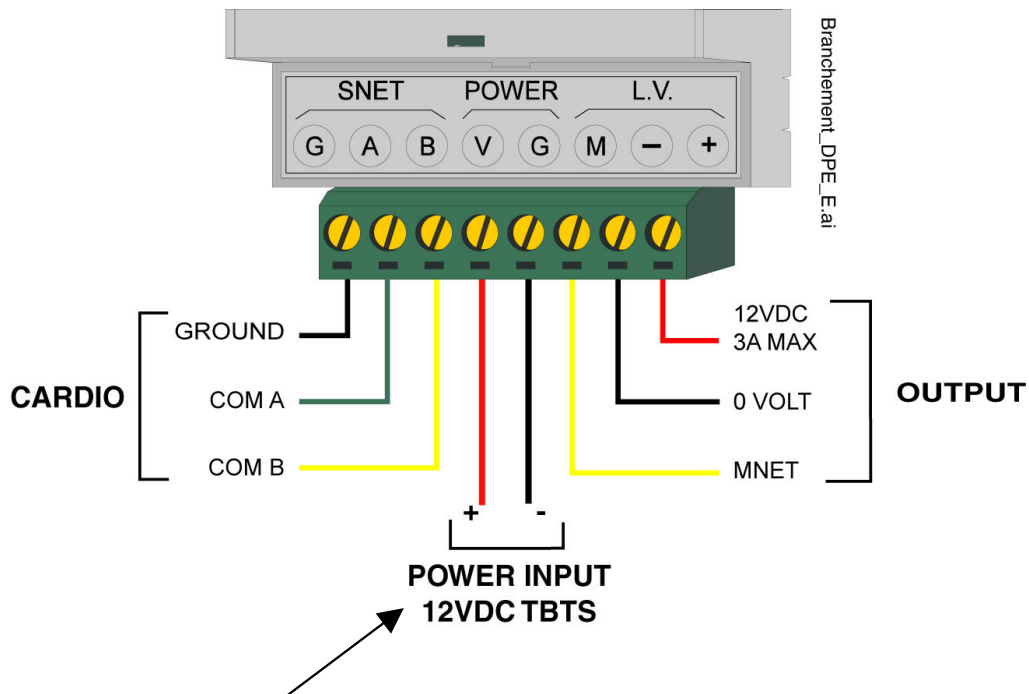
All SECANT modules are designed to be installed on a standard EN50022 DIN rail according to the DIN 43880 norm



NOTE : mounting should be performed inside the electric cabinet

CONNECTION SCHEMATICS

Low voltage section



NOTE : powering off the module should be accounted for in the installation

DISPLAY AND INDICATORS

The DPE module has three indicators on top of the front face. From left to right, they are:

POWER	Low voltage input
GROUP POWER	Tells that the value displayed on the two-digit display is the actual status of the group power output (00 = OFF; 01 = ON)
ADDR.	Tells that the value displayed on the two-digit display is the address of this module on the SNET network.

The DPE module has two push-buttons, the **Mode** and **Value** buttons. These two buttons allows to modify the status of a few options.

Each time the **Mode** button is pressed, the module shows different data through its double-digit display. When necessary, it is possible to change the information displayed by pressing the **Value** mode.

To change the status of the group power output

Press **Mode** until the **Group Power** indicator is on. Then press **Value** until the value shown on the display is correct (00 = OFF; 01 = ON).

To change the address of the module

Press **Mode** until the **ADDR.** Indicator is on. Then, press **Value** until the display shows the desired address.

Error codes

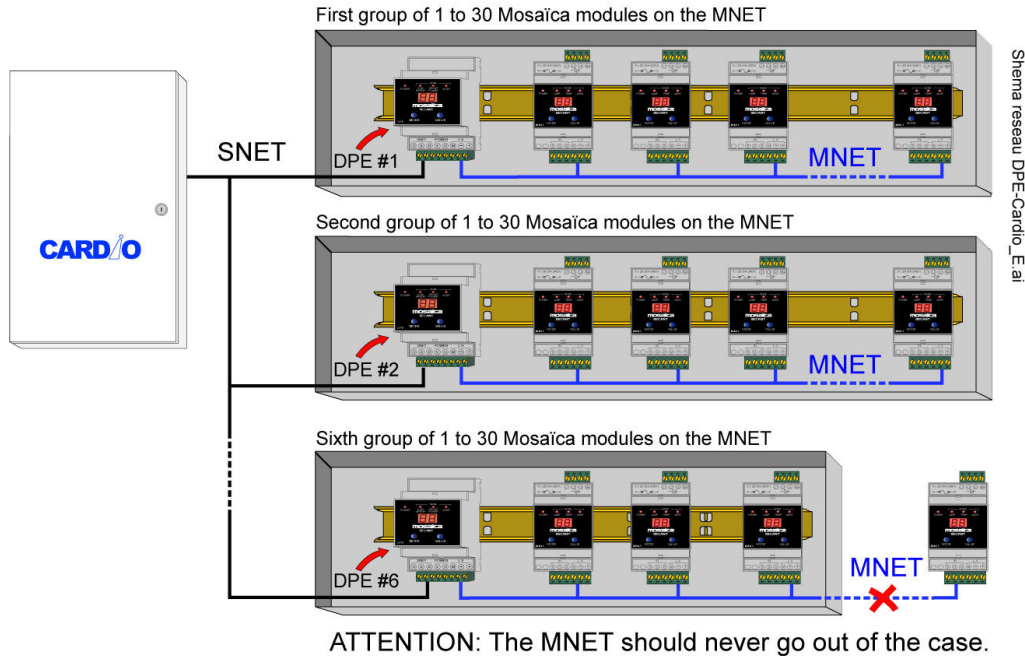
When the modules detects a wrong operating status, it displays an error code. This code will flash until the wrong status disappears. Please note that the error code is displayed only when the display is idle i.e. 30 seconds after being used with either the **Mode** or **Value** buttons for the last time.

Errors detected are as follows :

Code	Types
01	The group power output is either overloaded or short
02	Over voltage : the input voltage is too high (higher than 14 Vdc)
03	Transmission error. The DPE does not receive any answer from at least one module under its control.

USE WITH CARDIO

When in use with a Cardio system, the address of the DPE module should range from 1 to 6 on the Cardio SNET network (COM A, COM B). In order to control both the DM1 and/or RM1 modules from Cardio, it is mandatory to use the light screen of Cardio.



It is possible to connect up to 6 DPE modules to a Cardio system for a total of 160 DM1 and/or RM1. The following table shows how to match the light numbers in Cardio with the number of DIN modules for each DPE.

DPE #	Modules	Lights
1	1 à 30	1 à 30
2	1 à 30	31 à 60
3	1 à 30	61 à 90
4	1 à 30	91 à 120
5	1 à 30	121 à 150
6	1 à 10	151 à 160

INFORMATION

Documentation/References

For more information on this product and on any other SECANT DIN module product, please refer to the following Internet site: www.secant.ca.

WARRANTY

SECANT Home Automation inc. warrants goods of its manufacture as being free of defective materials and faulty workmanship for a period of 1 YEAR. If warranted goods are returned to SECANT during the period of coverage, SECANT will repair or replace without charge those items it finds defective. The guarantee does not apply to the defective products following an incorrect or abusive use.

SECANT Domotique Home Automation
www.secant.ca

Secant Home automation inc. reserves the right to make any changes in this information sheet at any time without notice.
Domotique Secant inc. se réserve le droit de modifier toute information contenue dans cette fiche à n'importe quel moment et sans préavis.
Secant Home Automation inc. se reserva el derecho de hacer cualquier cambio en esta ficha de información en cualquier momento y sin previo aviso.